

CHESNEYS

ARCHITECTURAL FIRESIDE OUTDOOR LIVING



INSTALLATION OF FIREPLACES



INTRODUCTION

For many years we have restored antique fireplaces at our workshops in London. Conserving and reviving an 18th century marble chimneypiece is a painstaking exercise which requires an extraordinary level of skill, expertise and patience.

There can be no compromises in the process, and it is this rigorous approach which has guided the development of our entire range of designs over the years, and which has come to set a Chesneys fireplace apart from all others.

A fireplace should be the primary focus of any room, and therefore we ensure that every one of our fireplaces embodies the finest craftsmanship and integrity of design.

We have added new designs to our established Historical and Contemporary Collections, the latter showcasing the talents of contemporary designers, most recently in collaboration with the renowned New York designer, Eric Cohler.

I hope that you will find plenty to enjoy.

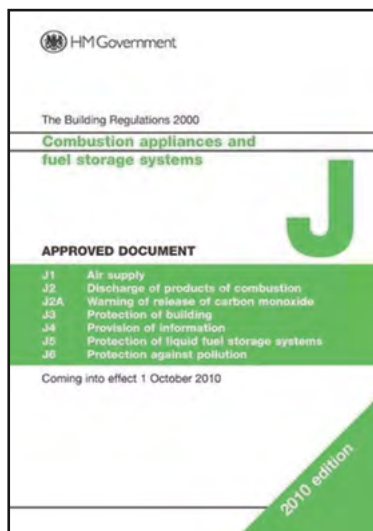
A handwritten signature in black ink that reads "Paul Chesney." The signature is written in a cursive, flowing style.

PAUL CHESNEY

INSTALLATION OF FIREPLACES, HEARTHES, GAS FIRES, FLUES AND THEIR RELATED APPLIANCES ARE GOVERNED WITHIN THE UK BY BUILDING REGULATIONS APPROVED DOCUMENT J 2010 EDITION.

Document J outlines various British Standards that cover all aspects of fireplace installation. A number of those listed include BS 5871 part 3, BS 5440 part 1, BS 1251, BS 8303 part 3, BS 6461, BS 5258 and BS 8000. Regulations detailed within these documents have to be adhered to. Also the fixing of stonework is covered by BS 8298 'Code of Practice for Design and Installation of Natural Stone Cladding and Lining'.

While many stages of the surround and decorative hearth installation are suitable for someone experienced in general building practices, others like the installation of appliances for solid fuel, flue lining, gas work and the sweeping/testing of flues must be carried out by a suitably qualified professional. If the fireplace cannot be fixed to a solid brick/blockwork masonry wall then we recommend that you consult an architect or a structural



engineer to identify that you can achieve suitable anchoring and bonding points to ensure that the fireplace cannot come away from the surface you are attaching it to.

WARNING: We do not recommend this as a DIY installation.

In your own interest and safety, it is

law that all gas appliances are installed by a competent person, in accordance with the current Gas Safety (installation and use) Regulations; 1998 (registered GAS SAFE installer).

In your own interest and safety it is law that all solid fuel appliances are installed by a competent person who is HETAS registered.

In addition, they must be carried out in accordance with relevant and current local and National Building Regulations.

These instructions are intended for use by competent personnel and any installations carried out by your own contractors are done so entirely at your own risk. Chesneys have their own teams of in-house installers to cover the installation process, please call 020 7498 5555 for more details on our installation service.



INSTALLATION

MARBLE & LIMESTONE FIREPLACES

Chesneys' website
contains detailed installation
and user manuals for
all products with document
downloads available

chesneys.co.uk/information



THE DEVONSHIRE

Handsome proportions and crisp detailing, with an elegant downward taper to the pilasters. Carved in limestone, it is shown here with the Alpine 6 Series multi-fuel stove.



GETTING STARTED

MINIMUM TOOLING REQUIREMENT

Clean rust free gauging trowels, clean rubber buckets, at least one for mixing adhesive and one for clean water, clean white (non-coloured) sponge, 3ft level, small boat level, stainless steel/galvanised ties, adjustable square, tape measure, lump hammer, bolster, coal chisel, drill with assorted masonry drill bits, filling knives, fixing adhesive (cement based tiling adhesive ie Ardex S16/W), white plaster (casting plaster), marble glue (i.e. Steinkitt vertical clear or white).

Do not attempt to install the fireplace unless you have the correct adhesives as mentioned and all mechanical fixings.

PPE

Ensure in all steps of the installation suitable protective equipment is worn and you have read and understood the relevant COSHH sheets for all materials used during the installation process. COSHH sheets must be obtained from relevant material manufacturers' suppliers.

FLUES

Ensure the flue has been swept, tested and certificated by a suitably qualified NACS registered chimney sweep, to the standard required for fuel you wish to burn. These are Class 1 for both solid fuel and open flue gas appliances, tested to BS 5871 for decorative fuel effect gas fires and BS6461 for solid fuel appliances supplied by Chesneys.

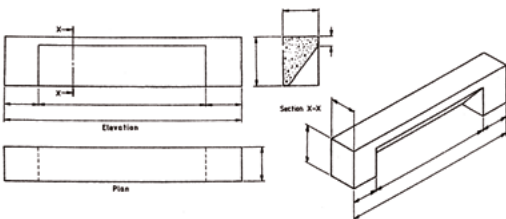
Subject to the diameter (surface area), height/length of the flue, and whether the opening will be fan assisted, prepare the structural opening size bearing in mind the maximum working opening of the associated flue. Ensure a throated lintel is installed and the gather area to the flue is smooth and tapered, see Document J.

GAS SUPPLY

If a decorative fuel effect gas fire is to be installed, run in an 8mm gas pipe to a central rear position in the structural opening. There should be a 15mm supply adjacent to the sub-hearth area. This pipe is then reduced to 8mm and the 8mm feed

INSTALLER TIP

IT IS ALWAYS ADVISABLE TO INSTALL A THROATED LINTEL



run into the chamber. Maximum length of 8mm pipe should be no more than 1000mm. The isolation valve can be in the chamber under the basket/insert and is there for servicing purposes only. If there was ever a problem with the gas fire, the gas supply would need to be isolated at the gas meter.

INSTALLER TIP

APPLYING THE FIRST COAT OF RENDER EARLY WILL SPEED UP COMPLETING THE INSTALLATION

OLDER PLASTER CAN NORMALLY BE REMOVED WITH A HAMMER AND CHISEL, NEWER PLASTER MAY REQUIRE AN ELECTRIC GRINDER



SOLID FUEL

If a solid fuel fire is to be installed, ensure the structural sub-hearth conforms to Building Regulations, see approved Document J 2010 edition.

PREPARATION OF GOODS

For limestone and white marble, seal the underside of the hearths with PVA or stone sealant. Allow the sealant to fully dry prior to commencing installation. Carry out works in a protected and ventilated

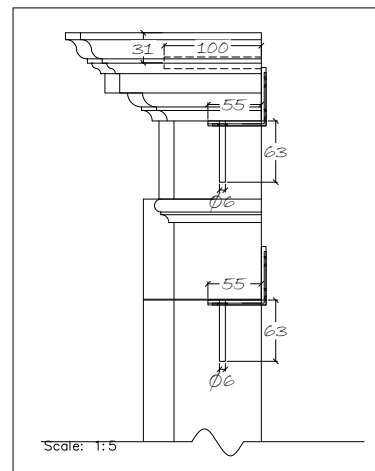


area and wear appropriate PPE.

PREPARATION OF THE INSTALLATION AREA

Ensure the work area is clear and all furnishings have been removed from the room where the surround is due to be installed. All flooring and finishes should be protected.

Cut back and remove all plaster from the chimney breast in the immediate area of the fireplace, up to about 10mm outside the profile of the fireplace to be installed to enable a good bond between the surround and the masonry. Do not fit mechanical fixings to mortar, only to solid brick/blockwork and please note lightweight block work is not suitable to take plugged mechanical fixings as they can pull out, chemical resin anchors



must be used in this instance. Ensure suitable PPE is worn such as gloves, goggles, dust mask etc. Bag rubble and remove to skip and clean work area.

FIXINGS

The fixings used should be stainless steel or galvanized steel/iron to prevent deterioration from rust as there is water present during fireplace manufacture.

The fixings must be secured into the stone with two part adhesives and a down turn penetration into the top of each piece of stone excluding the shelf which must have substantial dowels in the rear chemically fixed to the wall and stone work. The fixings should be secured to the solid wall with stainless steel or galvanized screws with plugs that can withstand being

pulled out by a person.

WARNING: The fixings included with the product are only suitable for installing on to a solid brick/blockwork masonry wall. If you are not installing onto a surface like this then you will need to consult an architect or a structural engineer as mentioned on the first page of this document.

LAYING THE HEARTH

Lay the hearth ensuring it is level both along its length and width running parallel to the face of the chimney breast. Limestone hearths should be set on quick setting cement based tiling adhesive.

For gas fires 'only', where the hearth is to be bedded onto wood, fix EML first then apply the adhesive bed. Ensure any wooden

INSTALLER TIP

PLACE THE FRIEZE IN POSITION 'DRY' WHILE FIXING THE JAMBS

ADD A FEW SPOTS OF RAPID SET PLASTER WHEN LAYING THE HEARTH. THIS WILL ALLOW YOU TO CONTINUE INSTALLATION IMMEDIATELY





INSTALLER TIP

WHILST THE ADHESIVE IS STILL DRYING, KEEP CHECKING THE JAMBS ARE LEVEL

sub-hearth area is suitably sound and secure. For all solid fuel fires the hearth should be set in three equal pieces to reduce the risk of fracture from thermal shock.

FITTING PROCEDURE

All stone components should have mechanical fixing recessed to allow full stone contact and downturned into their top to restrain them excluding the shelf. Each bond of adhesive should have continuous contact along its full joint and is bonded to the masonry along all of the back edge with the solid wall, it is important that all joints and bonded surfaces are clean and suitably wetted/soaked to allow the adhesive to set correctly and in accordance with the manufacturer's instructions.

The shelf and other overhanging components should be adequately restrained in all instances as they are liable to tip forward so it is imperative this is securely fixed back into the wall so there is no possibility of any piece tipping and falling.

FOR REGISTER GRATES

Installations not involving register grates please proceed to the next step.

Suitably reduce the fire chamber prior to installing the register grate to reduce the void between the back/sides of the register grate and the structural chamber. This

will later be back filled and launched off.

Fix strawboard/corrugated cardboard to the rear of the insert, this covers and fits tight to the complete back of the register grate and finishes 25mm (1") above the top of the burning area/firebrick. Fit the register grate ensuring that it is correctly positioned and properly sealed all round using fire cement. The front of the register grate should sit on top of the back edge of the hearth, in such a position that will be recessed behind and butting up to the back of each jamb and the frieze. Always allow a 3mm expansion gap between the register grate and the jambs.

Back fill the space between the back of the register grate and the wall of the fire chamber with vermiculite/pearlite concrete (6:1 vermiculite/cement or 10:1 pearlite/cement) to eliminate any voids/ large spaces behind the register grate fill level to top of the back of the register grate.

Flaunch-off the top of the backfill with 1:1:8 mix of cement/lime/sand to form smooth slope to flue at an angle of about 45 degrees.

PANELLED FIREPLACES

INSTALLATION OF THE SURROUND

Fix the jambs upright and back to the brickwork of the chimney breast using galvanised or stainless steel wall ties and quick setting cement based tiling adhesive bonded to the masonry.

Ensure quick setting cement adhesive is applied to the underside of the jambs where they meet the hearth. The jambs should be positioned on top of the hearth, equidistant to the ends of the hearth and parallel to the front edge.

Please Note: If using Modern Steel slips, place these in position now, as with register grates allow a 3mm expansion gap between the jambs and the steel slips.

Put the fireplace frieze in place, and fix level using quick setting cement based tiling adhesive or marble glue. For a register grate allow a 3mm expansion gap between the frieze and the register grate.

When fixing a solid surround the frieze should also be fixed back with galvanized or stainless steel wall ties/brackets.

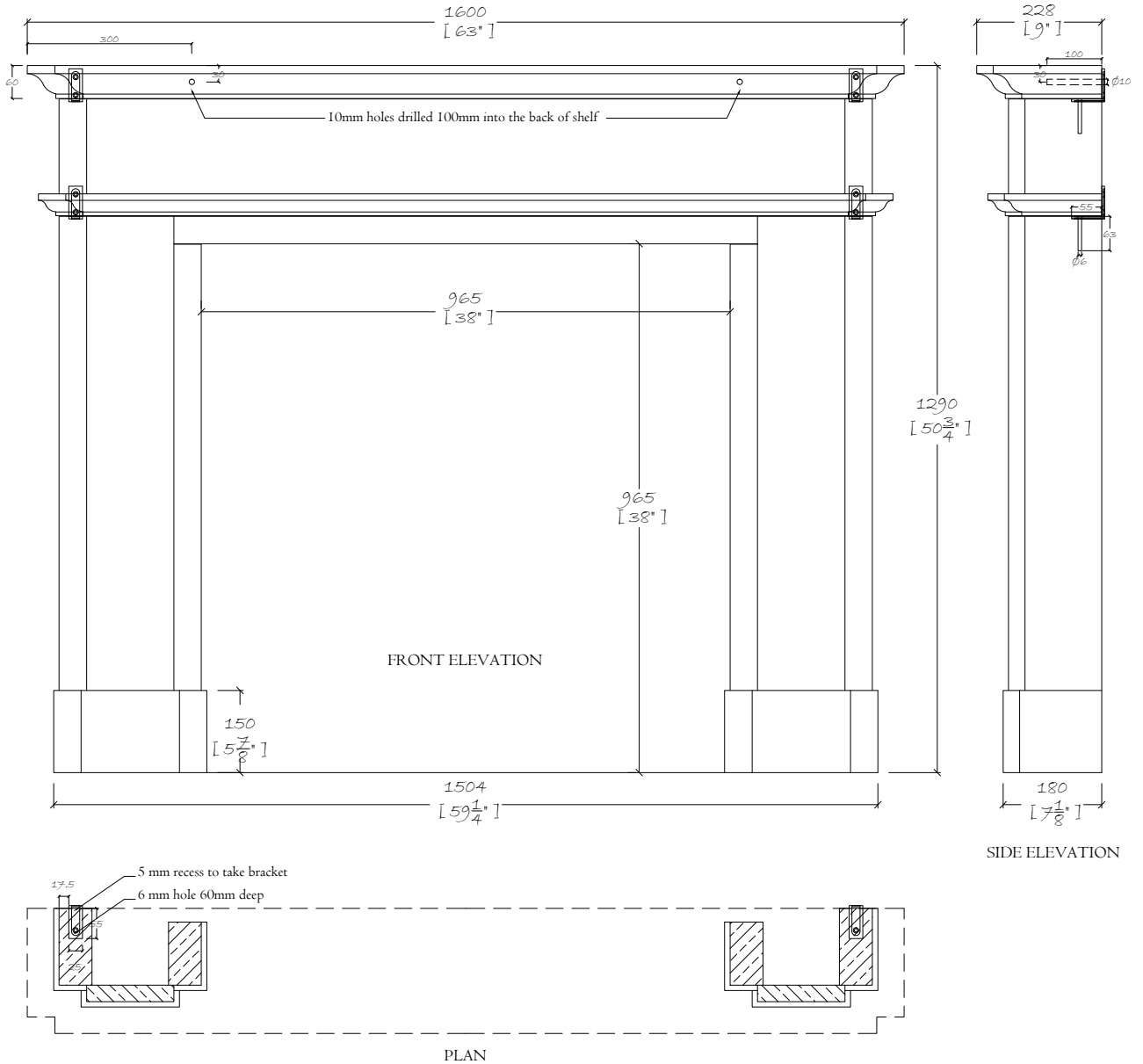
See the diagram supplied with the fireplace for individual fixing points.

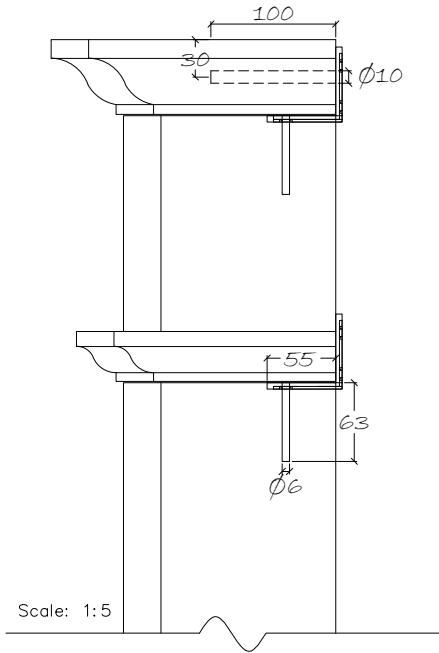


THE ALHAMBRA A traditional design with a contemporary twist.

Larger than many fireplaces and with a strong architectural form. Shown in limestone with the Morris fire basket for dogs, Burton andirons black slate hearth.

INSTALLATION OF MARBLE AND LIMESTONE FIREPLACES



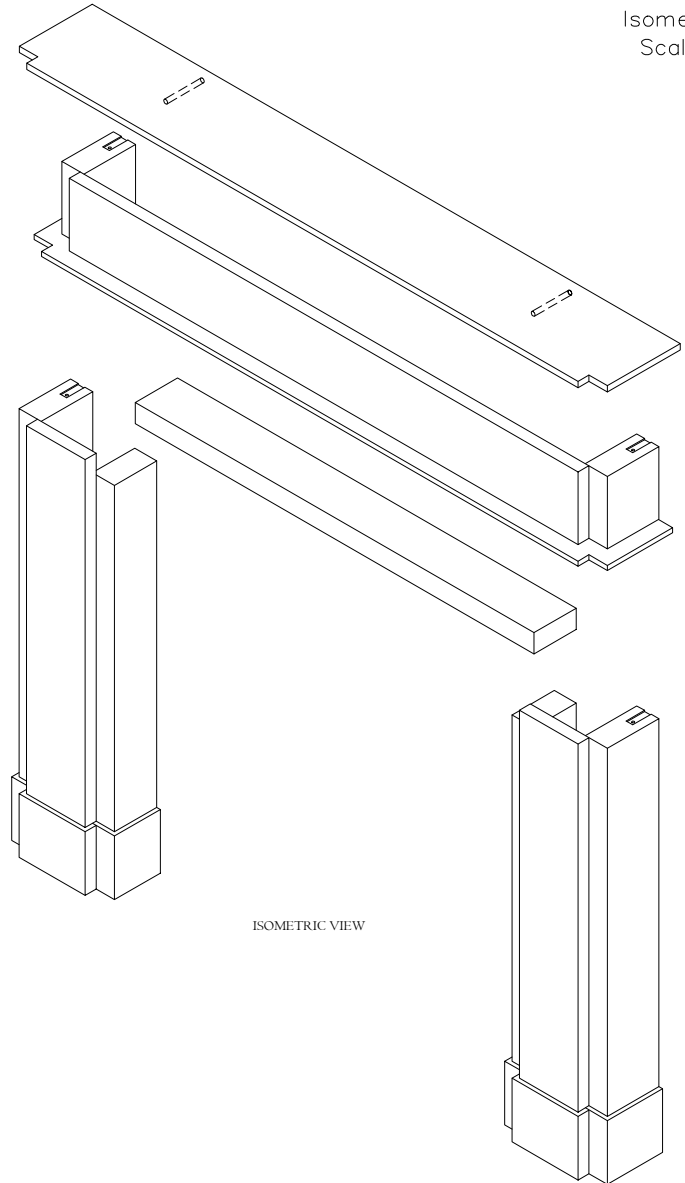


SIDE ELEVATION DETAIL

PANELLED FIREPLACE

THE LINE DRAWING SHOWN HERE IS AN INDICATIVE ILLUSTRATION OF A TYPICAL PANELLED FIREPLACE.

MODEL SHOWN:
THE ALHAMBRA



SOLID FIREPLACES INSTALLATION OF THE SURROUND



THE CLANDON The Clandon collection is based on a Queen Anne design from the beginning of the 18th century. Its simple lines and generous curves make it a versatile choice suitable for both contemporary and period interiors. Shown with Burton forged steel andirons and the Swansnest fire basket.

Fix the jambs upright and back to the brickwork of the chimney breast using galvanised or stainless steel wall ties and quick setting cement based tiling adhesive bonded to the masonry.

Ensure the quick setting cement based adhesive is applied to the whole length of the back of the jambs and to the underside of the jambs where they meet the hearth. The jambs should be positioned on top of the hearth, equidistant to the ends of the hearth and parallel to the front edge.

Please Note: If using Modern Steel slips, place these in position now, as with register grates allow a 3mm expansion gap between the jambs and the steel slips.

Put the fireplace frieze in place, and fix level using quick setting cement based tiling adhesive or marble glue using the stainless bracket provided and raw plugs provided. Ensure quick setting cement based adhesive is applied to the whole length of the back of the frieze.

For a register grate allow a 3mm expansion gap between the frieze and the register grate. When fixing a solid surround the frieze should also be fixed back with galvanised or stainless steel wall ties/brackets.

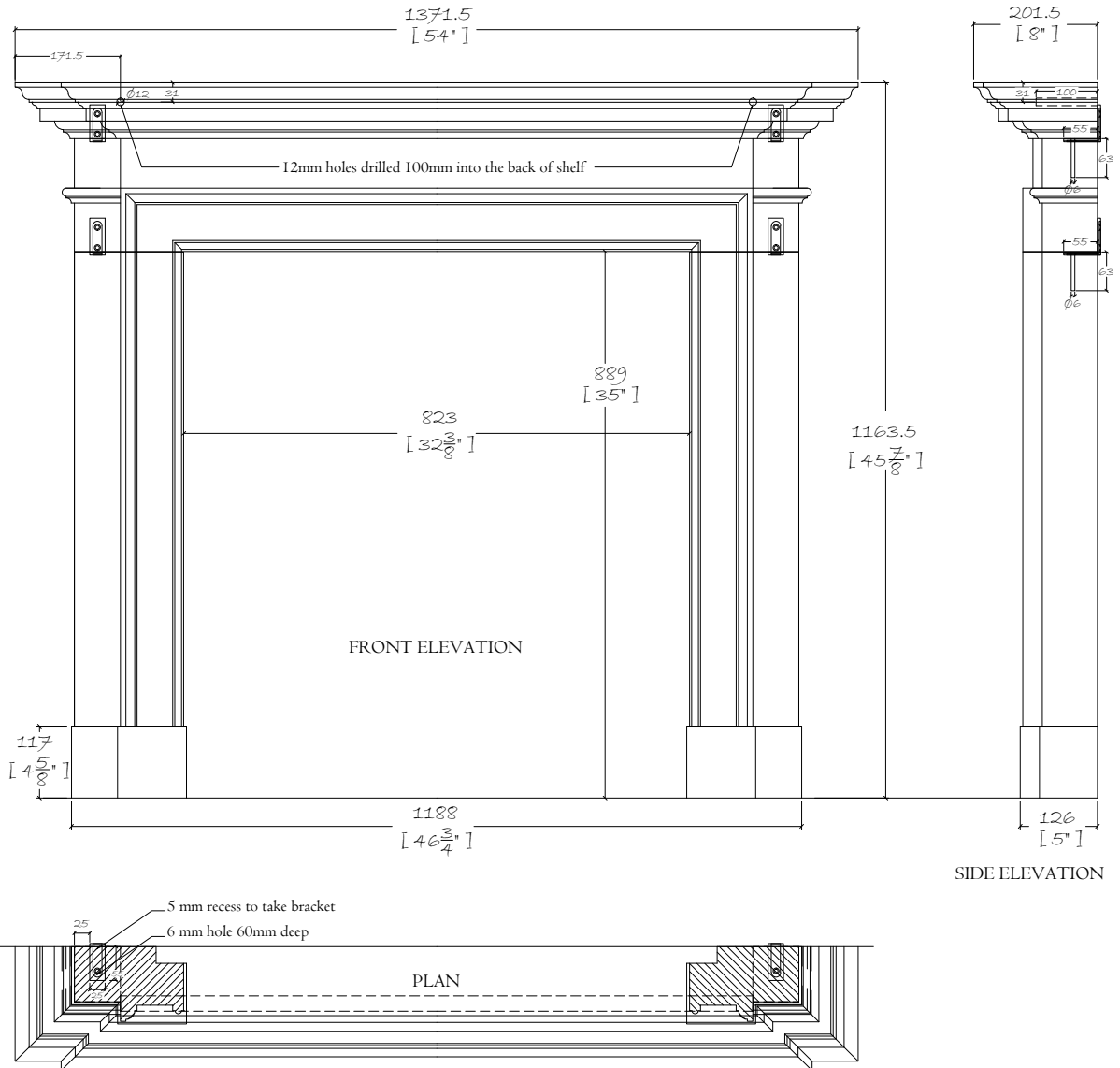
See the diagram supplied with the fireplace for individual fixing points.

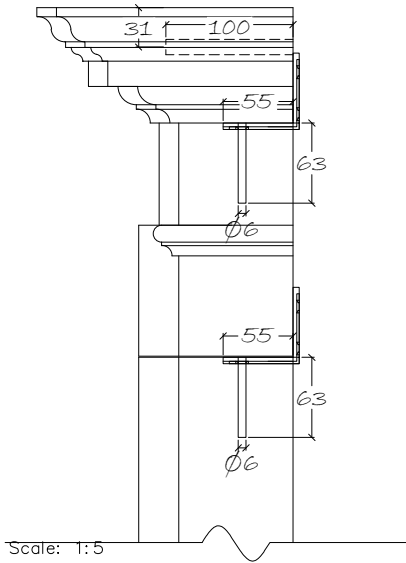
THE BURLINGTON

A timeless design carved from limestone. With its simple geometric lines and classical proportions, it will give architectural interest and a sense of scale to both modern and traditional interiors. Shown with Modern steel slips, Soho fire basket, Spherical steel fire dogs and slate hearth.



INSTALLATION OF MARBLE AND LIMESTONE FIREPLACES





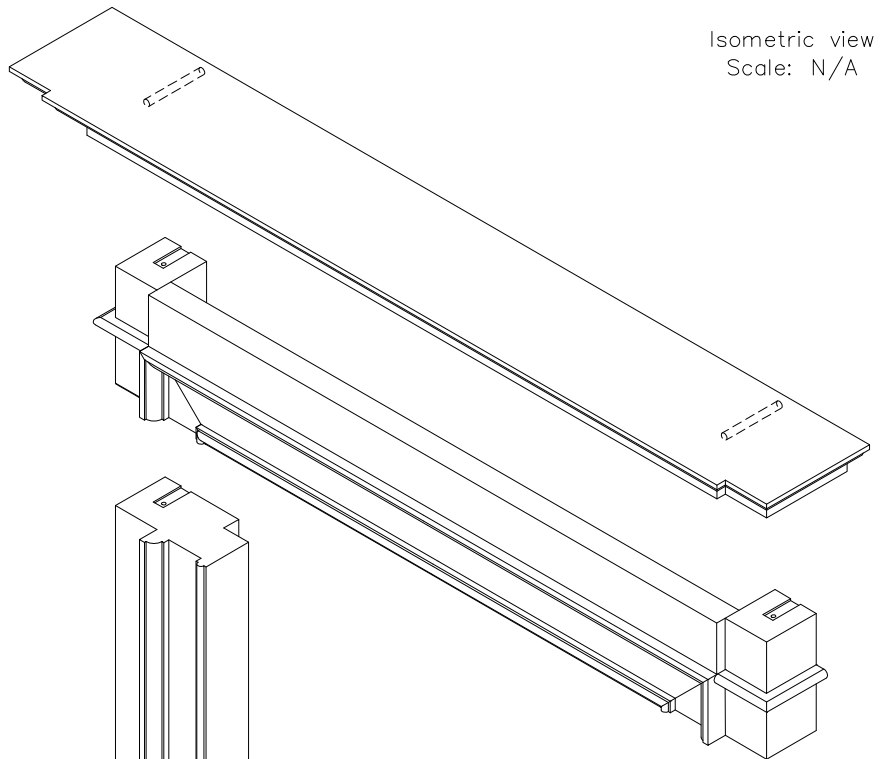
Scale: 1:5

SIDE ELEVATION DETAIL

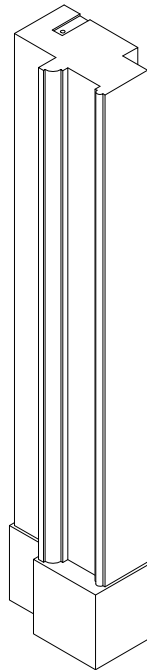
SOLID FIREPLACE

THE LINE DRAWING SHOWN HERE IS AN INDICATIVE ILLUSTRATION OF A TYPICAL SOLID FIREPLACE.

MODEL SHOWN:
THE BURLINGTON



Isometric view
Scale: N/A



ISOMETRIC VIEW





SLIPS AND HEADER

Fix the slips and header into the rebates behind and butting up to the back of the jambs and frieze, using quick setting cement based tiling adhesive. Ensure any gap between the back of the header and structural opening lintel is filled with fire cement. If slips/header have been installed – render the sides and back of the structural opening using sand, cement and lime (1:1:6 mix of cement/lime/sand) recessing it at least 10mm - 15mm behind the leading edge of the slips.

THE SHELF

When fixing the fireplace shelf this should be dowelled into the wall with galvanized or stainless steel studs and thixotropic two part resin chemical anchor fixings (see diagram supplied with fireplace for individual fixing points). Fix the mantle shelf and cushion (where applicable) onto the fireplace using quick setting cement based tiling adhesive and steel brackets supplied with the fireplace, ensuring it is level both along its

length and width and running parallel to the face of the chimney breast and the jambs and is bonded to the masonry along all the back edge. Make good around surround to a pre decorators finish and grout where necessary using fixing adhesive and white plaster.

FINISHING

If a back hearth is not be used, screed the area behind the hearth using sand, cement and lime (1:1:6 mix of cement/lime/sand). When dry, paint black if desired.

INSTALLER TIP

WHILST THE ADHESIVE IS DRYING, KEEP CHECKING THE JAMBS ARE SQUARE TO THE HEARTH



luxury fired by design

NOTES REGARDING HEARTH

Gas Decorative Hearth

Hearth to be bedded so there is a change in height between combustible finished flooring and hearth, a height of 20mm would satisfy or use of fixed fender. Minimum depth 300mm (12") in front and extend at least 150mm (6") each side of the opening.

Gas Constructional Sub Hearth

At least 12mm thick and to extend from the back of the structural opening to project at least 300mm (12") in front of the naked flame and extend at least 150mm (6") each side of the opening. The sub hearth should be of a material that will prevent the transmission of heat in excess of 80 degrees centigrade to its underside.

Solid Fuel Decorative Hearth

Minimum 300mm (12") in front and extend at least 150mm (6") each side of the opening. Set in three equal pieces.

Solid Fuel Constructional Sub Hearth

Usually of concrete at least 125mm (5") thick and to extend from the back of the structural opening to project at least 500mm (20") in front of the naked flame and extend at least 150mm (6") each side of the opening. An air gap of at least 50mm is required between base of sub-hearth and combustible material, and if combustible material within the construction of wall or support area this has to be a minimum of 250mm from top of constructional hearth.

Solid Fuel Back Hearth

This is the area immediately under the fire and should be of firebrick or heatproof screed. Never use natural stone, marble or tiles as they can shatter or explode.

If you require any further technical assistance in relation to installation, please do not hesitate to contact us:

t: +44 (0) 20 7498 5555

e: fireplace.technical@chesneys.co.uk

WARNING

In order to prevent any part of the structure detaching from the wall:

It is essential that all parts of modular stone and marble fireplaces are securely fixed to a solid wall by means of mechanical fixings.

The fireplace should never be glued to paintwork or plasterwork.

Note: We do not recommend this as a DIY installation and strongly advise using the services of a qualified installer.

CLEANING & MAINTENANCE





THE CHESNEYS STONECARE KIT

HAS BEEN SPECIFICALLY
DEVELOPED TO ASSIST WITH
THE PROTECTION AND
MAINTENANCE OF VARIOUS
TYPES OF NATURAL STONE.

THE EASY TO APPLY KIT
PROVIDES THREE KEY PRODUCTS
FOR SEALING, CLEANING AND
MAINTENANCE.

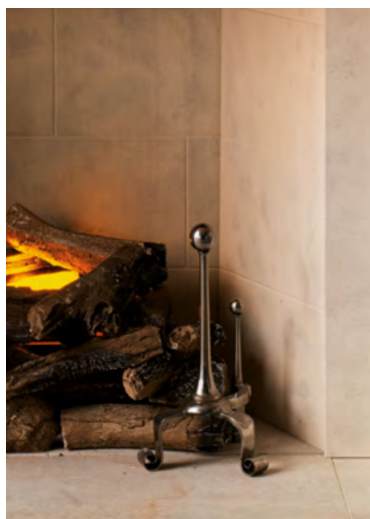
MARBLE SURROUNDS

Clean with general household
cleaning polish i.e. Mr. Sheen,
using a soft cloth.

For more stubborn stains caused
through the spillage of wine etc.
use a cleaning detergent such as
Flash, then repeat as above with
household polish. There is no
guarantee against staining.

LIMESTONE SURROUND, HEARTH AND SLIPS

Clean with Chesneys' Stonecare.
Apply a small amount of cleaner
on to the surface, wipe over
surfaces with a clean dry cloth
and leave surfaces to dry. It is
important that strong household
detergents and abrasive cleaners
are not used as this will damage
the finish on the stone.



For more stubborn stains caused
through the spillage of wine etc.,
use Chesneys' Stonefoam.

Spray an even layer of foam onto
the surface of the stone, once the
foam has dissolved, agitate with a
mild abrasive pad and rinse well
with plenty of clean water and
leave to dry.

Chesneys Stoneseal is a rapid
drying spray on sealer for both
polished and unpolished stone.
Easy to apply this product should
ensure that your surfaces will
remain well protected. Apply
periodically throughout the year
and always use to top up
protection after intensively
cleaning surfaces with Chesneys
Stonefoam.

Use a Smooth White Emulsifying
Pad, available from Chesneys, to
work the maintenance products
into the stone. There is no
guarantee against staining.

SLATE AND GRANITE HEARTH AND SLIPS

Clean with general household
cleaning polish i.e. Mr. Sheen,
using a soft cloth. Alternatively
use spray oil such as WD-40 for
minor scratches.

CAST IRON REGISTER GRATE, STEEL REGISTER GRATE AND STEEL SLIPS

Clean with spray oil such as
WD-40, this will help to protect

THE LOIRE

Inspired by a design from the Louis XVI period featuring console jambs and a running fielded frieze. The Loire employs the device of simplified detail throughout and oversized decorative corner blocks as a means of establishing it in a modern form.





the metal against rust. Moisture is produced by the burning of the gas fire and rust is still likely to form. This is normal and not a problem, the level of moisture is increased when burning solid fuel.

Polishing with WD-40 and fine wire wool is highly recommended on a periodic basis. The areas of the basket or register grate near the burning area are subject to 'tempering' which is discolouration of the metal, this is normal and not a problem. The level of discolouration is increased when burning solid fuel. Burn small fires initially to temper the metal slowly.

FIRE BASKETS

Black baskets are relatively low maintenance and wiping clean with WD-40 will be sufficient. Some discolouration of the basket should be expected. Gas fires produce moisture and rust is still likely to

form. This is normal, the level of moisture is increased when burning solid fuel.

For highly polished steel baskets cleaning with WD-40 on fine wire wool is highly recommended on a periodic basis.

The basket will be subject to 'tempering', which is the discolouration of the metal, this is normal and not a problem and again is increased when burning solid fuel. Burn small fires initially to temper the metal slowly.

GAS EFFECT FIRES AND CHIMNEY SWEEPING

Please refer to the manufacturer's operating instructions.

The gas fire must be serviced on a 12 monthly basis by a Gas Safe Registered approved engineer, this is a legal requirement for the Gas Safety Regulations 1994 (Reg.35). All chimneys must be swept at least once a year preferably by a member of the National Association of Chimney Sweeps (NACS).

However, if your appliance is used continuously throughout the year more frequent sweeping is recommended. The best time to have your chimney swept is at the start of the heating season.



THE CHESNEYS STONE CARE KIT

Chesneys' Stone Seal is a rapid drying spray-on sealer for both polished and unpolished stone. Easy to apply, this product should ensure that your surfaces will remain well protected. Apply periodically throughout the year and always use to top up protection after intensively cleaning surfaces with Chesneys' Stonefoam.

Chesneys' Stonecare is a daily or weekly maintenance cleaner for all types of natural stone. Easy to apply and does not require rinsing.

Chesneys' Stonefoam is an intensive cleaner ideal for refurbishing surfaces that have minor staining or a build up of after care product. It also helps to remove various types of dirt and grime including soot. Use once or twice a year.

Chesneys' Stone Care Kit is available to order online at chesneys.co.uk/shop



ARCHITECTURAL SERVICE

CHESNEYS OFFER A COMPREHENSIVE SERVICE FOR THE DESIGN AND MANUFACTURE OF ARCHITECTURAL STONE AND MARBLE WORK INCLUDING CANTILEVERED STAIRCASES TO FINELY CARVED ECCLESIASTICAL OBJECTS



The technical skills that the company has acquired over the past 25 years in developing its unique range of hand carved fireplaces have also enabled it to undertake a wide variety of architectural projects that require execution of even the most challenging stone work.

Our company's ability to manage the stonework element of a project is not limited to technical expertise in the fields of masonry and carving but also includes the key elements

of design, material selection and procurement, services which are all delivered through a single point of responsibility.

In addition to offering all the elements of stone work required for external residential projects, Chesneys can boast a diverse international portfolio of interior commissions ranging from the supply of finely carved ecclesiastical objects to the design and manufacture of cantilevered stone and marble staircases.

The unique skill set and experience that Chesneys offers is nowhere better seen than in its acknowledged expertise in the architectural art form of the cantilevered staircase.



Projects and further information can be viewed online at:

www.chesneysarchitectural.co.uk

Chesneys London showroom has a solid limestone cantilevered staircase on display and other fine examples of our work, from baths and sinks to columns and pilasters, as well as a stunning Loggia in our purpose built limestone courtyard.

OUTDOOR LIVING

COOK THE PERFECT MEAL THEN ENJOY THE WARMEST NIGHT OF THE YEAR WITH CHESNEYS' **HEAT** COLLECTION OF BARBECUE HEATERS



Chesneys has now expanded into the field of Outdoor Living.

Utilising the unique technology employed in its award winning range of clean burning wood stoves and working with renowned chef, James Martin, Chesneys has developed a ground



breaking collection of barbecue heaters that will re-invent the way we use the outdoors.

The HEAT range combines a versatile and easy to use cooking and barbecuing experience, using wood or charcoal, with an effective and atmospheric outdoor heating system that is entirely unique in the way that it enhances the experience of outdoor living.

This innovative product has been five years in development and as with all Chesneys products, no effort has been spared in ensuring it combines the most intelligent engineering and robust manufacture with a visual aesthetic that is unmatched by other products.





CHESNEYS' BROCHURES AVAILABLE TO ORDER OR DOWNLOAD FROM OUR WEBSITE



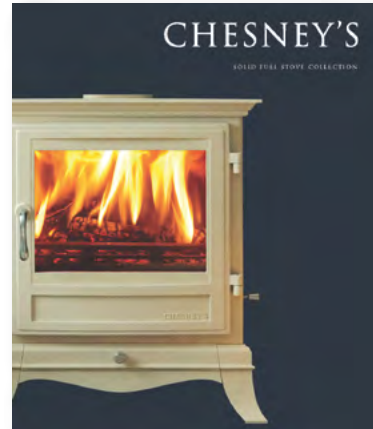
FIREPLACES

Fireplaces, Fires, Baskets and Grates,
Fire Dogs



GAS STOVES

Gas Stoves that combine the latest
technology with a design aesthetic



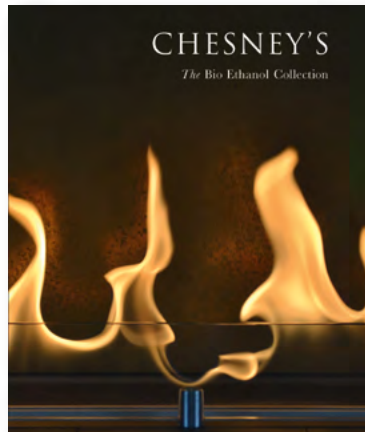
WOOD & MULTI-FUEL STOVES

Wood Stoves & Multi-Fuel Stoves



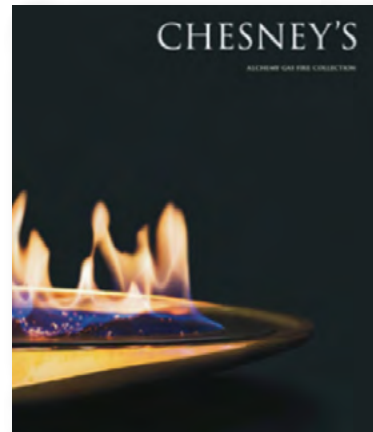
KELLY HOPPEN COLLECTION

Fireplace designs for modern
living



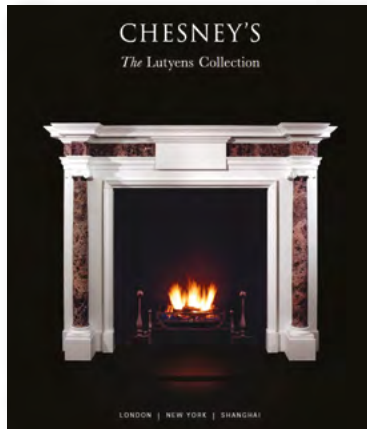
BIO ETHANOL FIRES

Automatic, Remote and Manual
Bio Ethanol Fires



GAS FIRES

The Alchemy Collection of High
Efficiency Fires, DFE Basket/Grate Fires



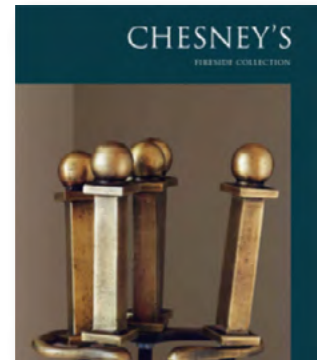
THE LUTYENS COLLECTION

Designs for Five Chimneypieces from drawings by Sir Edwin Lutyens



THE ADAM COLLECTION

Designs for Six Chimneypieces from drawings from the office of Robert Adam



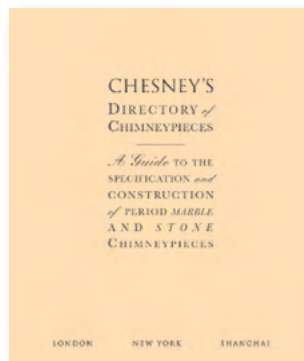
FIRESIDE ACCESSORIES

Fire Screens, Fire Baskets and Fire Tools



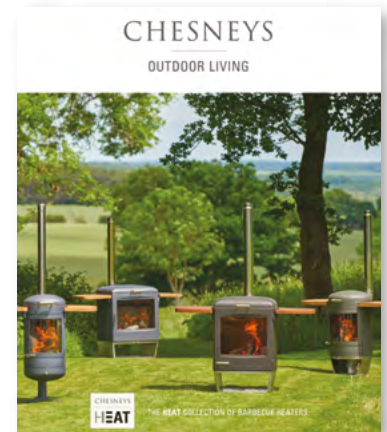
ARCHITECTURAL SERVICE

Cantilevered Staircases, Floors and Bespoke Architectural Products



DIRECTORY OF CHIMNEYPICES

Bespoke Period Fireplace designs



OUTDOOR LIVING

Ground breaking collection of barbecue heaters that will re-invent the way we use the outdoors

CHESNEYS

Goods Supplied/Order Number

The following goods were supplied

.....

.....

.....

..... on order

Please quote the above order number in all correspondence with Chesneys

The information contained within this document is given in good faith for general guidance only and may not be applicable to, and should not be relied upon, in any particular circumstances. The manufacturer/supplier will not be liable for any direct or indirect or consequential loss or damage.

USEFUL TELEPHONE NUMBERS AND WHO TO CONTACT

Gas Safe Register 0800 408 5500

HETAS 0845 634 5626

The National Association of Chimney Sweeps (NACS) 01785 811 732

Chesneys Installation Department 020 7498 5555

Battersea Park Road Showroom 020 7627 1410

TO BE COMPLETED BY INSTALLER UPON COMPLETION

Property address	
Room location	
Which surround was installed	
Installer name	
Installer address	
Installer contact number	
Registration number HETAS/CSCS/GAS SAFE where applicable	
Has the fireplace been fitted in accordance with Chesneys' drawings and installation instructions	
If no then reason for deviation and what alternative method was used	
Name of professional person who approved this installation method ie architect/structural engineer/surveyor	
Which adhesive was used	
Were all mechanical fixings used	
Surface fixed to ie concrete block/brickwork	
The Data Plate for this installation has been located	
I confirm all of the above _____ <i>Installer's signature</i>	

The products of this fireplace were supplied by Chesneys

NOTES

FIREPLACE GLOSSARY

CAPITAL MOULDING

The decorative detail drawn from the classical orders which sits at the head of the pilaster or column.

CHIMNEYPIECE

The fire surround or mantelpiece.

CORNER BLOCKING

The decorative panel found at the head of the jamb.

CORNICED MANTEL SHELF

A mantel shelf which incorporates a series of architectural mouldings.

DEPTH OF REBATE

The difference between inner jamb and outer jamb.

DETACHED COLUMN

A column that stands free of the jambs of the chimneypiece.

ENGAGED COLUMN

A column that is attached to the jambs of the chimneypiece.

ENBLATURE

The term to describe the frieze, corner blockings and mantel shelf as one unit.

FIRE BASKET

The grate which houses a fire and sits within the fire chamber.

FIRE DOGS OR ANDIRONS

Decorative supports for a fire basket.

FRIEZE

The cross member between the jambs of a chimneypiece.

FRIEZE TABLET

The decorative panel found at the centre of the frieze.

HEADER AND SLIPS

Non-combustible panels set between the chimneypiece and fire chamber to protect the former from the heat of the fire and ensure a fire that draws safely.

HEARTHSTONE

The non-combustible base upon which the chimneypiece sits, usually slate, stone or marble.

INGROUNDS

Facing slips that form part of the chimneypiece and which frame the opening, sometimes incorporating a contrasting coloured marble.

INLAY

Decorative device in the form of coloured marble in a variety of patterns set into the base marble of the chimneypiece.

JAMB OR PILASTER

The vertical sections or 'legs' of a chimneypiece.

PLINTH BLOCK

The supporting base to the jamb.

REGISTER GRATE

Decorative steel or cast iron unit housing the fire which conceals the brick fire chamber, developed during the 18th and 19th centuries.

Chesneys pursues a policy of continuing improvement in design and performance of its products.

The right is therefore reserved to vary specifications without notice.

For illustration purposes some chimneypieces and baskets may be shown in optional materials or finishes other than standard production specifications.

CHESNEYS

Showrooms

London

194-204 Battersea Park Road,
London SW11 4ND

Telephone 020 7627 1410

Fax 020 7622 1078

Email sales@chesneys.co.uk

147-151 Haverstock Hill,
London NW3 4QU

Telephone 020 7561 8280

Fax 020 7622 1078

Email sales@chesneys.co.uk

Architectural & Outdoor Living Showroom:

521-525 Battersea Park Road,
London SW11 3BN

Telephone 020 7978 7224

Email architectural@chesneys.co.uk

www.chesneys.co.uk

New York

Suite 1119, 11th Floor,
D&D Building, 979 Third Avenue,
New York NY 10022

Telephone 001 646 840 0609

Fax 001 646 840 0602

Email sales@chesneys.com

www.chesneys.com