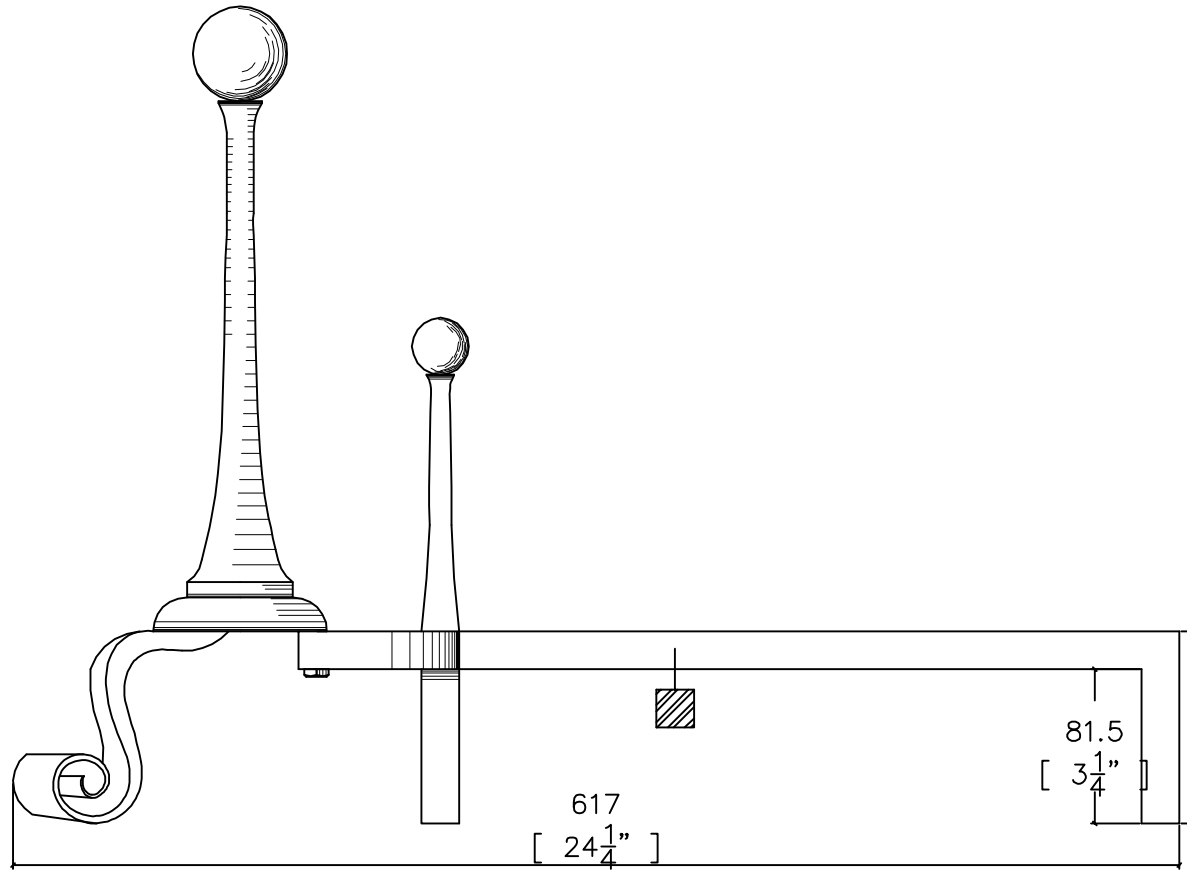
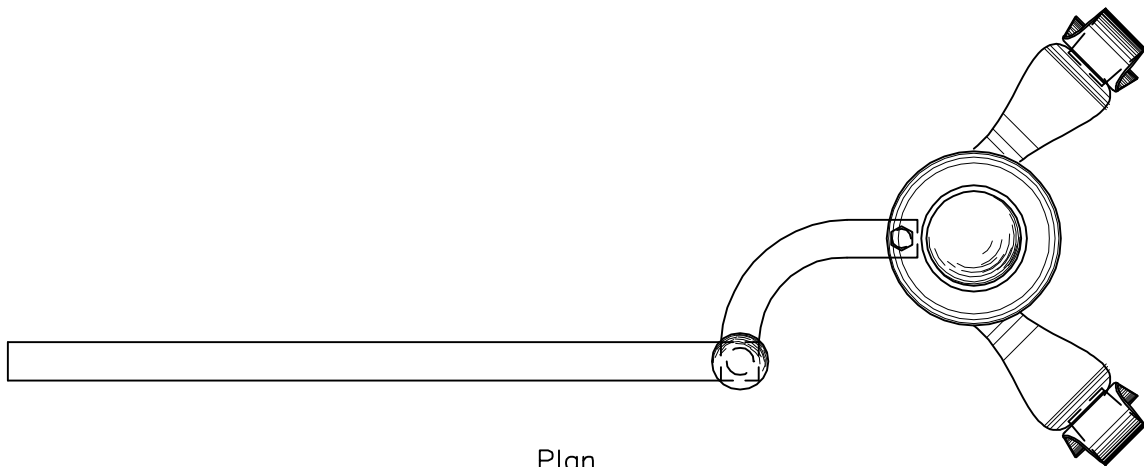


FRONT ELEVATION



SIDE ELEVATION



Plan

Telford Andiron
 Date: 22/03/07 Scale: 1:4 @ A3
 DRAWING NO. YT0026